

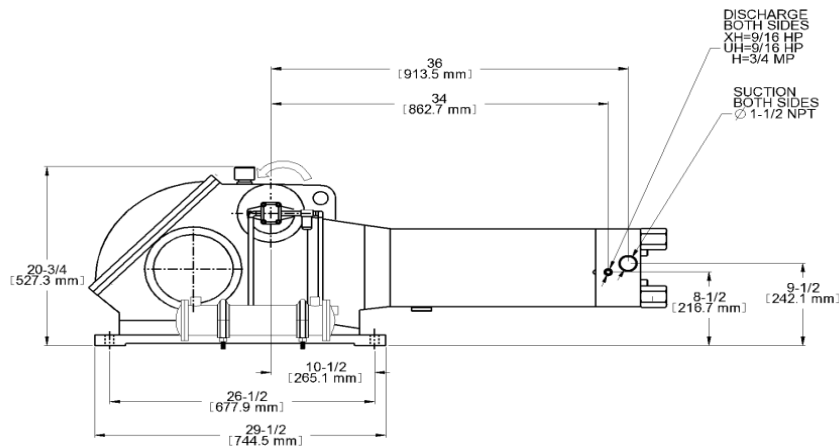
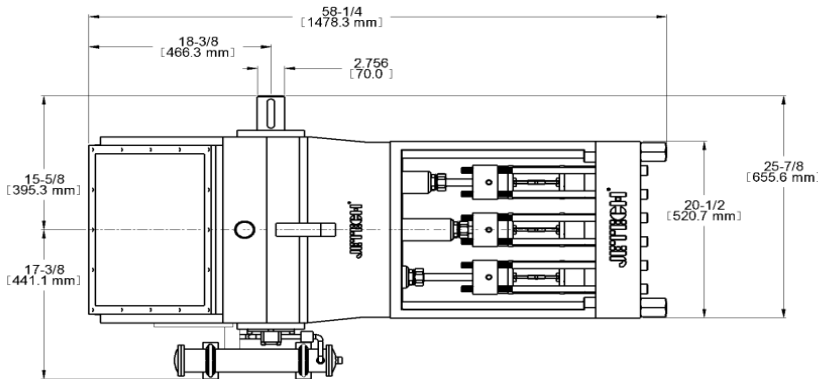
# JETECH®

## 350TJ3

### Pump Performance and Engineering Data

		JETECH "AD" Liquid End Design							RO Design	
		XH	UH		H			RO		
PRESSURE	PSI	50,000	40,000	30,000	20,000	20,000	15,000	10,000	1,200	
	BAR	3,450	2,760	2,070	1,380	1,380	1,030	690	80	
FLOW	60 Hz. 1800 RPM INPUT 500 RPM OUTPUT	GPM	10.2	12.3	17.2	26.1	26.1	36.8	53.9	441
		L/M	38.6	46.7	65.2	98.8	98.8	139	204	1681
	50 Hz. 1500 INPUT 428 RPM OUTPUT	GPM	8.7	10.6	14.7	22.3	22.3	31.5	46.2	380
		L/M	32.8	40.0	55.8	84.6	84.6	119	175	1439
PLUNGER	INCH	5/8	11/16	13/16	1	1	1 3/16	1 7/16	4 1/8	
	MM	15.9	17.5	20.6	25.4	25.4	30.2	36.5	105	

Performance based on 100% volumetric efficiency



Maximum Input Power	358 HP	267 KW
Stroke Length	5.12 INCH	130 mm
Weight	1800Lbs	816 Kg
Power-End Type	Triplex Crankshaft	
Gear Type	Double Helical	
Gear Ratio	3.5:1 or 4.619:1	
Connecting Rod Bearings	Shell Type	
Main Bearings	Roller	
Pinion Bearing	Roller	
Crank Shaft	Alloy Steel	
Power-End Lubrication	Pressurized	
Power-End Oil Capacity	14 qt.	13 L
Oil Type	SAE 80W-90	

